

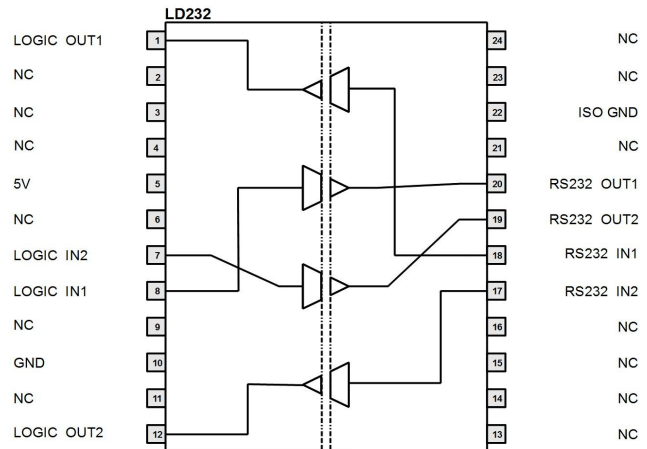
Complete, Single Powered, Isolated, Dual RS-232 Driver/Receiver Module

Features

- ◆ Isolated RS232 Data Interface
- ◆ No External Components
- ◆ Single 5V (3V) Supply
- ◆ 2 x Tx and 2 x Rx Channels
- ◆ Up to 400kbps and 2500V Isolation
- ◆ RoHs compliant

Ordering Information

PART	TEMP.RANGE	DATA RATE	ISOLATION
LD232A-5	-40°C to +85°C	400kbps	2500V
LD232B-5	0°C to +70°C	100kbps	1500V
LD232C-5	0°C to +70°C	19.2kbps	1500V
LD232D-5	0°C to +70°C	9.6kbps	1500V
PACKAGE	DIL 24 Module		



Absolute Maximum Ratings

Voltages with respect to GND		Operating Temperature Ranges	
Supply Voltage, VCC	-0.3V to +6V	LD232A	-40°C to +85°C
Input Voltage, Logic	-0.3V to (VCC +0.3V)	LD232B/C/D	0°C to +70°C
Voltage with respect to ISO GND		Storage Temperature Range	
RS232 Input Voltage	-25V to +25V		-55°C to +125°C
RS232 Output Voltage	-15V to +15V		

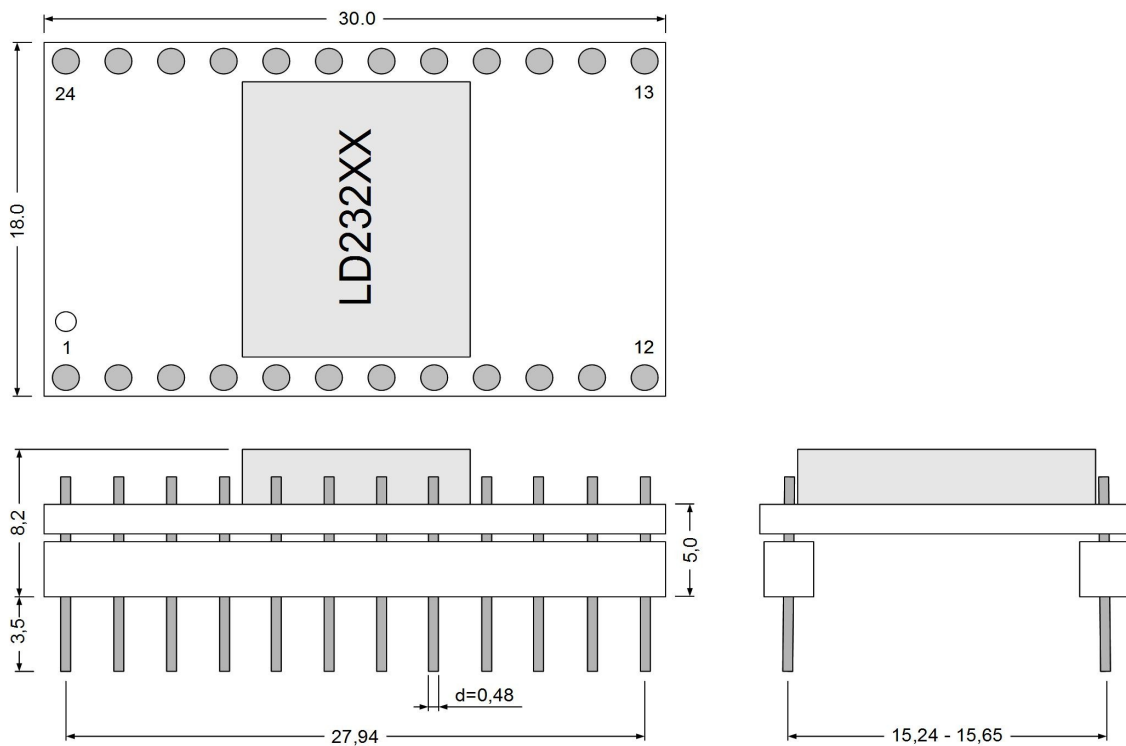
Electrical Characteristics

Parameter	Symbol	Conditions	Min	Typ	Max	Units
Supply						
Input Supply Range	VCC		4.5	5.0	5.5	V
Input Supply Current	ICC	No Load		16	22	mA
RS232						
Driver Output Voltage Swing	VDO	RL = 3k	+5	+5.8		V
Receiver Input Threshold Low	VRIL		0.8	1.3		V
Receiver Input Threshold High	VRIH			1.7	2.5	V
Logic						
Logic Input Threshold Low	VLIL		1.0	1.35		V
Logic Input Threshold High	VLIH			1.75	2.2	V
Logic Output Threshold Low	VLOL				0.4	V
Logic Output Threshold High	VLOH		VCC-0.4			V
ESD						
RS232 Driver and Receiver Protection			+/-10			kV

Information in this document is believed to be accurate and reliable. No responsibility is assumed for its use. Schmitt Electronics reserves the right to change the module and the specifications without notice any time.

Electrical Characteristics (continued)						
Parameter	Symbol	Conditions	Min	Typ	Max	Units
Transmission						
Maximum Data Rate LD232D C B A		RL = 3k, CL = 2.50nF 2.00nF 1.00nF 0.25nF	9.6 19.2 100.0 400.0			kbps
Isolation						
Rated Isolation Voltage LD232D/C/B LD232A	VISO	1 minute, derived from 1 sec. test	1500 2500			VRMS
Rated Isolation Voltage LD232D/C/B LD232A	VISO	1 second	+2600 +4400			VRMS
Isolation Voltage LD232D/C/B LD232A	VPEAK	Continuous	300 500			VPEAK

Modul Dimensions



All dimensions are in mm +/- 0.2
Pins on a 2,54 mm pitch

Information in this document is believed to be accurate and reliable. No responsibility is assumed for its use. Schmitt Electronics reserves the right to change the module and the specifications without notice any time.